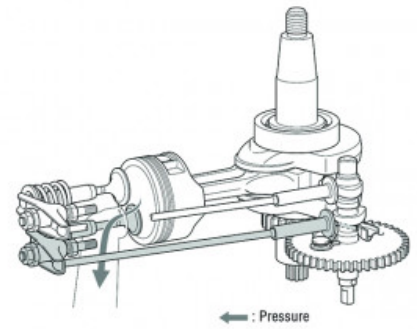




F4

POA



**Specifications**

**Boat Details**

Price	POA	Boat Brand	Yamaha
Model	F4	Length	0.00
Year	2026	Category	Boat Engines and Outboards
Hull Style		Hull Type	
Power Type	Power	Stock Number	F4BMHL
Condition	New	State	New South Wales
Suburb	BELMONT	Engine Make	

**Disclaimer**

Our company offers the details of this vessel in good faith but cannot guarantee or warrant the accuracy of this information nor warrant the condition of the vessel. A buyer should instruct his agents and/or surveyors to investigate such details buyer desires validated. This vessel is offered subject to prior sale, price change or withdrawal without notice.



## Description

Lightweight, compact and economical, Yamaha's single-cylinder portable F4 has been designed to be ultra-easy to use and transport. Featuring a specially developed four stroke, Overhead Valve (OHV) design, this engine delivers excellent fuel efficiency and smooth running. Attention to detail makes this Yamaha small engine great by delivering a user experience that stands head and shoulders above anything else.

Technical Specification

HeightS: 435 [17.1] | L: 562 [22.1]

WeightS: 27 | L: 28

Engine4-Stroke, OHV, 1-cylinder

Displacement139.0

Bore62 x 46

Max RPM4000-5000

LubricationWet sump

FuelCarb

IgnitionCDI

StarterManual Choke

Alternator12V - 6A with Rectifier Regulator (Optional)

OperationTiller Handle

TiltManual Tilt

GaugesN/A

Network GaugesN/A

Fuel Tank1.1

Gear Ratio2.08:1

Lpd Switch1

---

## Engine Details

Horse Power

4

---

### Disclaimer

Our company offers the details of this vessel in good faith but cannot guarantee or warrant the accuracy of this information nor warrant the condition of the vessel. A buyer should instruct his agents and/or surveyors to investigate such details buyer desires validated. This vessel is offered subject to prior sale, price change or withdrawal without notice.